

DIRECTOR ASSEMBLY - Color coded BLACK

Element sections (parts 17 & 18) are pre-assembled. Match black color coded end of Element Section (part 19) with corresponding color of Element Section (part 18) according to frequency chart. Insert and secure with Screw (part 11). Insert Black color coded end of Trap Assembly (part 20) into Element Section (part 19), secure with Screw (part 11). Make certain breather holes in trap assemblies face down. Insert Black color coded Element Section (part 21) into end of Trap Assembly (part 20) and secure with Screw (part 11). Place Caplugs (part 10) over outer ends of Element Sections (part 21).

ATTACHING DIRECTOR TO BOOM:

Note that the radius of grooves on Clamping Block (part 13) conforms with radius of Boom (part 23A) and Element (part 17). Insert Clamping Block (part 13) between U-Bolt (part 12) and Element Section (part 17). Place assembled Director Element with Clamping Block (part 13) on Boom. Align U-Bolt with color code on boom and secure.

REFLECTOR ASSEMBLY - Color coded BROWN

To assemble Reflector, follow same instructions as in the Director Assembly, substituting Brown for Black color code.

ATTACHING REFLECTOR TO BOOM:

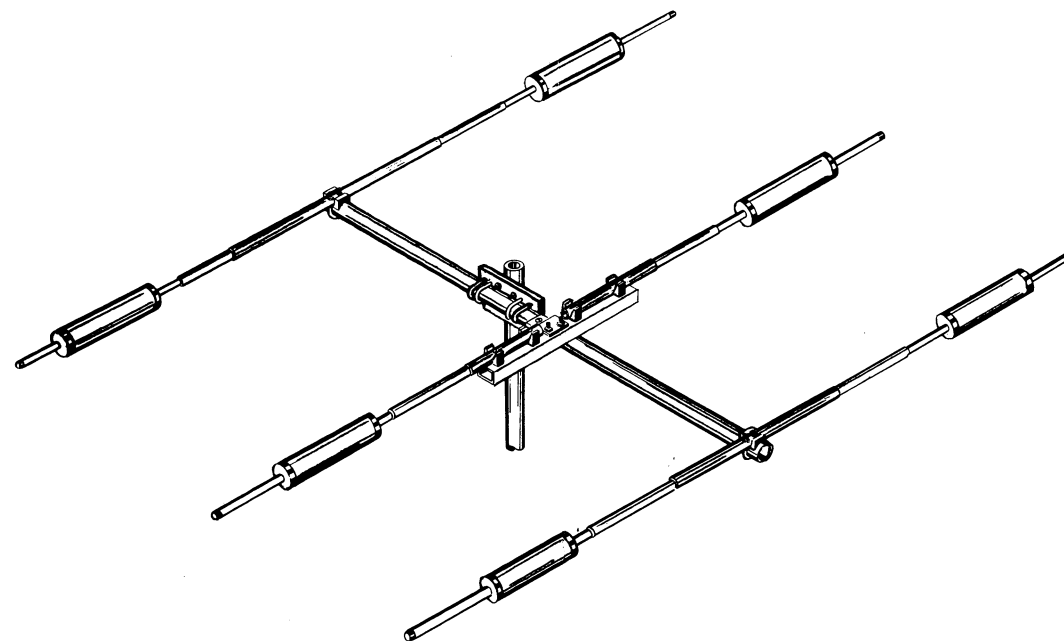
To attach Reflector Element to boom, follow same instructions as in the Director Assembly, substituting Brown for Black color code. Also substitute Boom (part 23B) for Boom (part 23A).

BOOM ASSEMBLY:

All element assemblies must be on the same plane for proper performance. Place two U-Bolts (part 12) around section of Boom Assembly (part 23A) around Clamping Blocks (part 27) and into holes in Mast Plate (part 22). Be certain mast plate is at right angle to elements. Secure with Nuts and Lock washers (parts 14 and 15). Insert Boom Splice (part 25) into Boom Section (part 23B), align screw holes and secure with Screw (part 11). Join both sections of Boom Assemblies (part 23A and 23B) together by fitting Boom Splice (part 25) into Boom (part 23A). Place two U-Bolts (part 12) around section of Boom Assembly (part 23B), around Clamping Blocks (part 27), into Mast Plate (part 22) and secure with Lock washers and Nuts (parts 14 and 15).

The two remaining clamping blocks and hardware are for attaching beam to your mast.

ASSEMBLY INSTRUCTIONS FOR MOSLEY THREE ELEMENT TRI-BAND BEAM ANTENNA TRAP MASTER MODEL TA-33



COLOR CODE		FREQUENCY CHART		
ELEMENT	COLOR	BAND	CODE 1*	11**
Radiator	Blue	10 M	28.1	28.8
Reflector	Brown	15 M	21.050	21.3
Director	Black	20 M	14.050	14.250
<i>*Best for CW.</i>		<i>**Best for Phone</i>		

NOTE: To order replacement parts from instruction sheet, refer to Form No. and Part No.

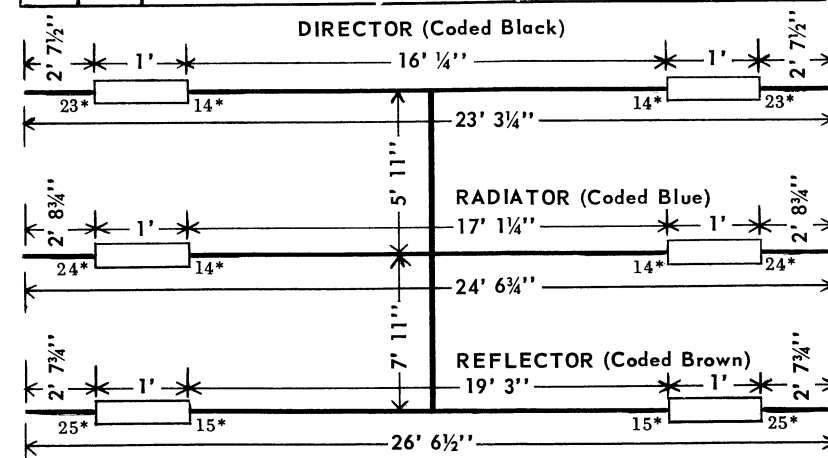
M·E·I

MOSLEY ELECTRONICS, INCORPORATED
4610 North Lindbergh Boulevard
Bridgeton, Missouri

The high performance of your MOSLEY Antenna can only be achieved if the antenna is assembled in accordance with the instructions supplied. Substitution of materials or modification of design will materially lessen this performance.

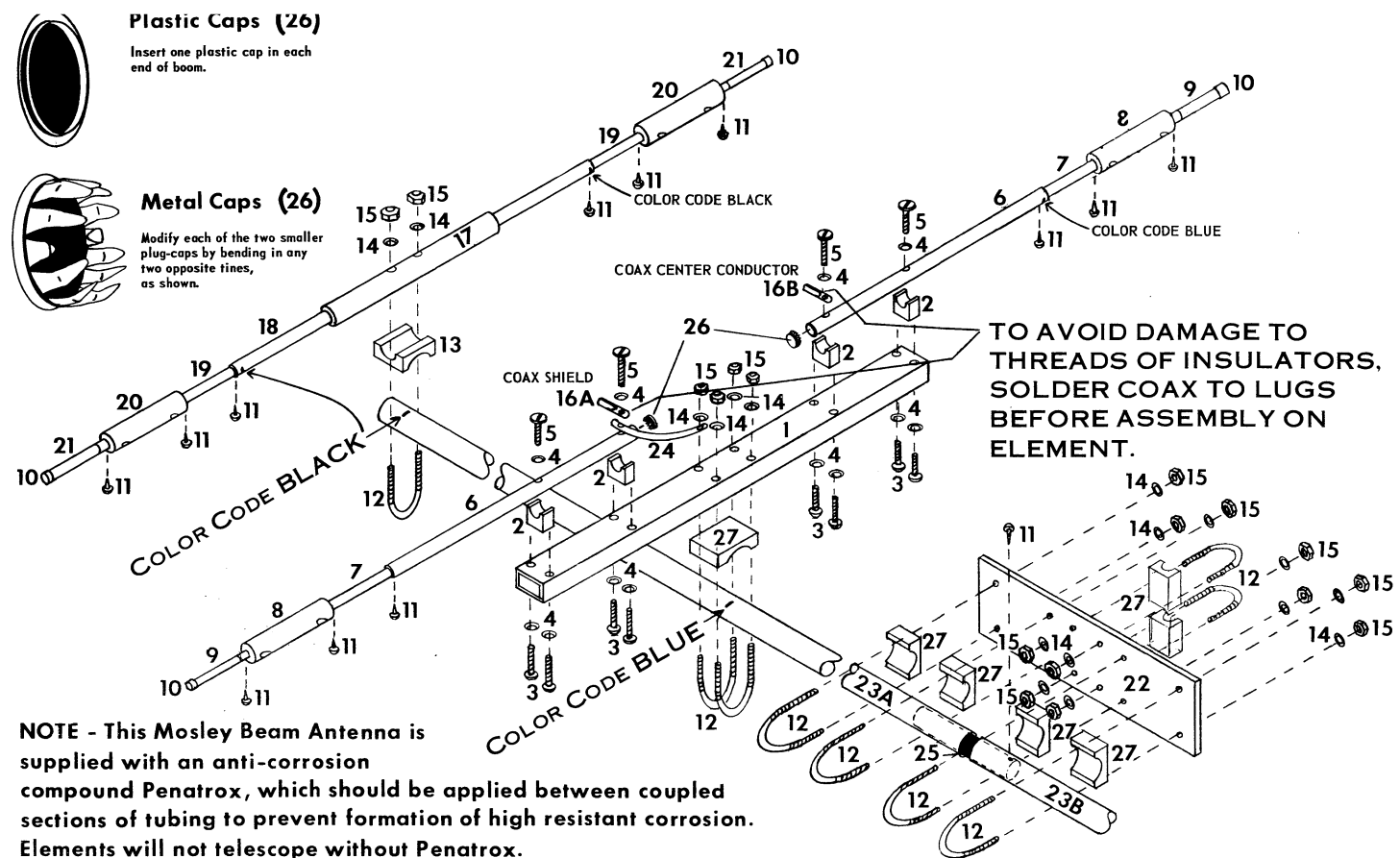
PARTS LIST

PART NO.	QUAN.	DESCRIPTION
1	1	Element Support
2	4	Insulators
3	8	10-32 x 1 1/4" Screws
4	12	No. 10 Lock washers
5	4	10-32 x 1 3/4" Screws
6	2	1" OD x .058 wall, Element (coded BLUE)
7	2	7/8" OD x .058 wall, Element (coded BLUE)
8	2	Trap Assemblies (coded BLUE)
9	2	5/8" OD x .035 wall, Element (coded BLUE)
10	6	5/8" Caplugs
11	19	No. 7 Sheet Metal Screws
12	10	U-Bolts
13	2	No. 40 Clamping Blocks
14	20	1/4" Lock washers
15	20	1/4-20 Nuts
16	2	Solder Lugs
17	2	1-1/8" OD x .058 wall, Elements (coded 1 BLACK and 1 BROWN)
18	2	1" OD x .058 wall, Elements (coded 1 BLACK and 1 BROWN)
19	4	7/8" OD x .058 wall, Elements (coded 2 BLACK and 2 BROWN)
20	4	Trap Assemblies (coded 2 BLACK and 2 BROWN)
21	4	5/8" OD x .035 wall, Elements (coded 2 BLACK and 2 BROWN)
22	1	Mast Plate
23	1	Boom
24	1	Ground Strap
25	1	Boom Splice
26		2 Metal Caps and 2 Plastic Caplugs
27	7	No. 43 Clamping Blocks



Settings are for Code II, add 10 1/2" to center Dimension for Code I.

* Indicates number of coil turns.



NOTE - This Mosley Beam Antenna is supplied with an anti-corrosion compound Penatrox, which should be applied between coupled sections of tubing to prevent formation of high resistant corrosion. Elements will not telescope without Penatrox.

ASSEMBLY

CAUTION: Coil Assemblies are color coded on one end only; this color should ALWAYS be nearest the boom. Reversal of traps will cause high SWR and other malfunction of beam.

Read Directions Carefully!

Begin assembly by grouping all element and coil sections according to color code. For proper matching use 52 ohm coax. RG-8/U is recommended.

RADIATOR ASSEMBLY - Color coded BLUE

Loosely install insulators (part 2) to Element Support (part 1) with Screws and Lock washers (parts 3 and 4). Place Element Section (part 6) into "V" of Insulator (part 2) so that screw hole on Blue color coded end of Element (part 6) is facing DOWN. This is important to assure proper position of coil assemblies that are provided with breather holes and should face down.

Place Screws (part 5) through Lock washers (part 4) and secure to outermost Insulator (part 2). Place Screw (part 5) through Lock washer (part 4), Solder Lug (part 16A), Ground Strap (part 24), Element (part 6) and secure to

Insulator (part 2). Insert Screw (part 5) through Lock washer (part 4), Solder Lug (part 16B), Element (part 6) and secure all insulators. Insert Blue color coded end of Element Section (part 7) into corresponding color coded end of Element (part 6).

Align holes according to frequency chart and secure with Screw (part 11). Insert Blue color coded end of Trap Assembly (part 8) into Element Section (part 7) and secure with Screw (part 11).

Insert Blue Color coded end of Element Section (part 9) into end of Trap Assembly (part 8) and secure with Screw (part 11). Place Caplug (part 10) over outer ends of Element Sections (part 9) and press Metal Cap (part 26) into inboard ends of radiator elements (part 6).

ATTACHING RADIATOR TO BOOM:

Loosely install two U-Bolts (part 12) to Element Support (part 1) with Lock washers and Nuts (parts 14 and 15). At this time attach Ground Strap (part 24) to one of the U-Bolts. Place Support (part 1) directly over Blue color code on Boom (part 23A). Install Clamping Block (part 27) between Element Support (part 1) and Boom (part 23A). Secure with Nuts and Lock washers.